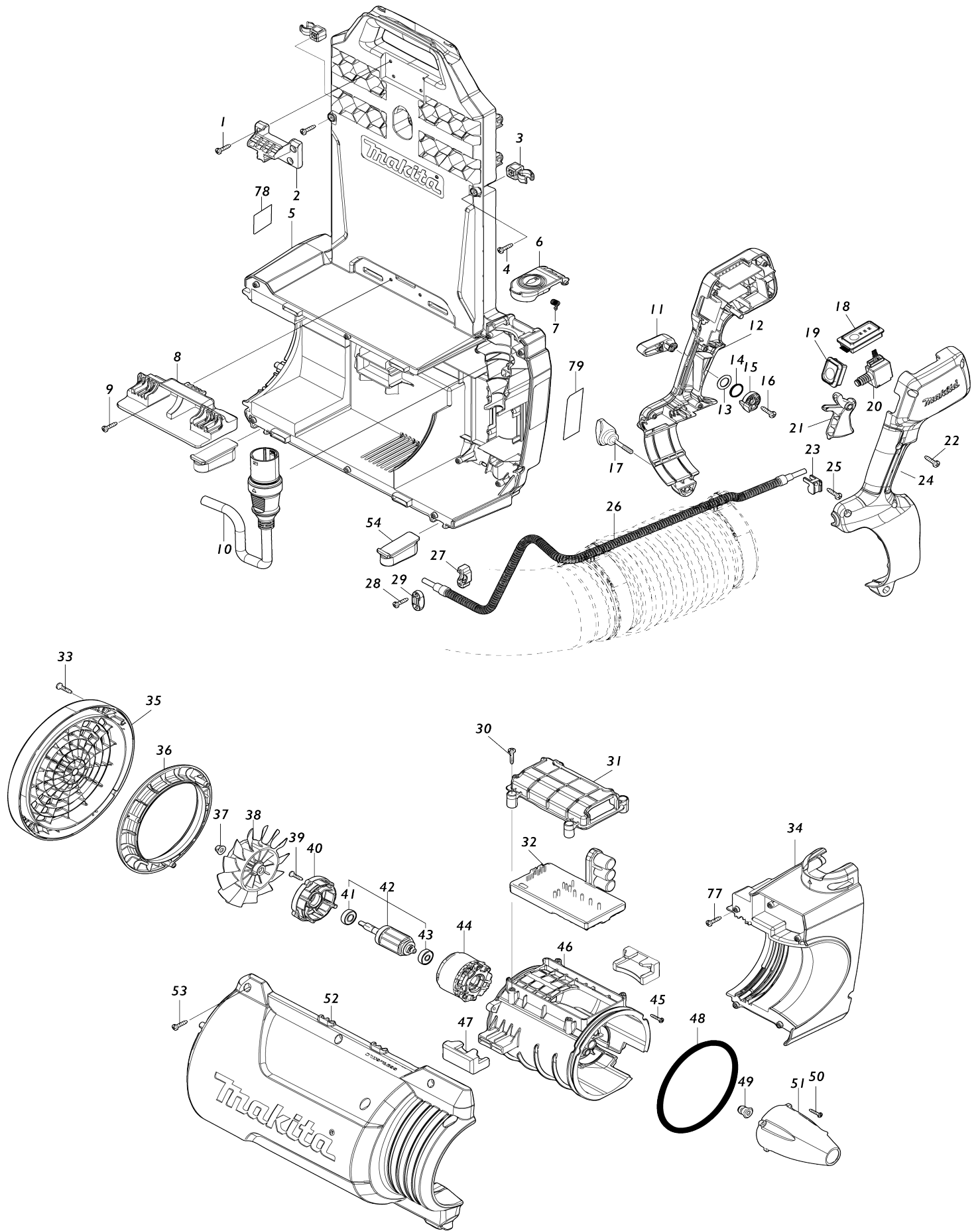
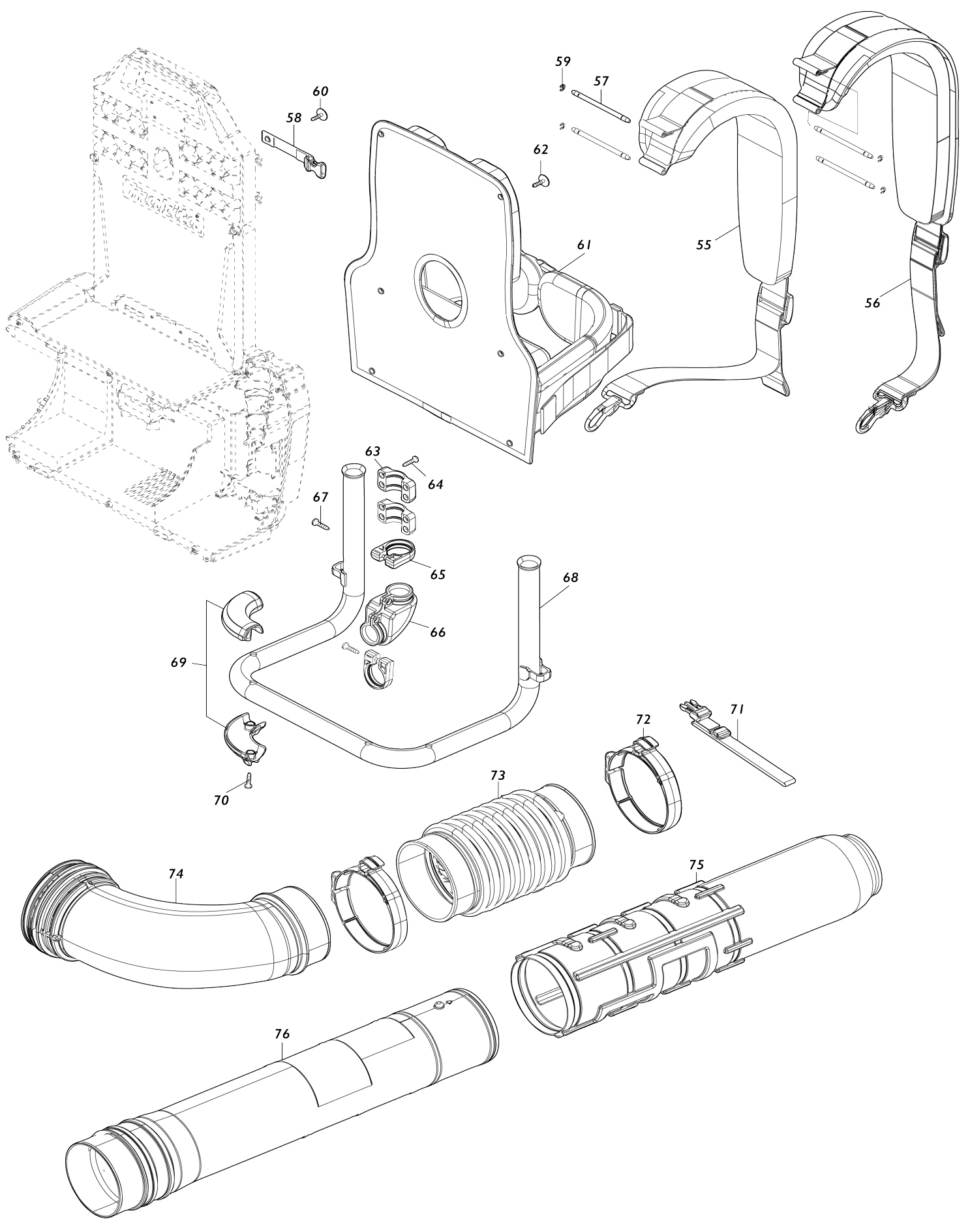


# Model No.UB002C BATTERY POWERED BLOWER



# Model No.UB002C BATTERY POWERED BLOWER



Model No.UB002C BATTERY POWERED BLOWER

Item No.	Parts No.	Description	Interchangeability	Q'ty	New/Old	Note1	Note2
001	266326-2	TAPPING SCREW 4X18		4			
002	413G75-6	UPPER HOLDER		1			
003	413613-2	HOLDER		2			
004	266326-2	TAPPING SCREW 4X18		2			
005	141J75-1	FRAME COMPLETE		1			
006	413G74-8	CONNECTOR COVER		1			
007	232681-4	TORSION SPRING 4		1			
008	413G65-9	BOTTOM HOLDER		1			
009	266326-2	TAPPING SCREW 4X18		2			
010	699202-9	POWER SUPPLY CORD UNIT		1			
011	413G66-7	CONTROL LEVER		1			
012	183W35-5	LEVER CASE SET		1			
C10	252103-8	HEX. LOCK NUT M5-8		1			
D10		INC. 24					
013	253798-0	FLAT WASHER 13		1			
014	213154-6	O RING 14		1			
015	412754-1	LINK		1			
016	266326-2	TAPPING SCREW 4X18		1			
017	265C61-7	THUMB SCREW M5X35		1			
018	620J51-3	SWITCH CIRCUIT COMPLETE		1			
019	140X08-7	SWITCH CIRCUIT COMPLETE		1			
C10	810D46-0	SWITCH LABEL		1			
020	651492-2	SWITCH C3JR-1A-PAXD3		1			
021	413G68-3	SWITCH LEVER		1			
022	266326-2	TAPPING SCREW 4X18		6			
023	687260-7	STRAIN RELIEF		1			
024	183W35-5	LEVER CASE SET		1			
C10	252103-8	HEX. LOCK NUT M5-8		1			
D10		INC. 12					
025	266326-2	TAPPING SCREW 4X18		1			
026	699203-7	POWER SUPPLY CORD UNIT		1			
027	687051-6	STRAIN RELIEF		1			
028	266326-2	TAPPING SCREW 4X18		2			
029	687124-5	STRAIN RELIEF		1			
030	266326-2	TAPPING SCREW 4X18		4			
031	413G73-0	CONTROLLER CASE COVER		1			
032	620K47-0	CONTROLLER COMPLETE		1	*		
032-1	620P25-0	CONTROLLER COMPLETE	<	1			
033	266326-2	TAPPING SCREW 4X18		4			
034	141J78-5	CORD COVER COMPLETE		1			
C10	8011Y4-4	CAUTION LABEL		1			
035	413G61-7	REAR COVER		1			
036	413G72-2	FAN GUIDE		1			
037	252286-4	COLLARED HEX.LOCK NUT M5-8		1			
038	240237-9	FAN 110		1			
039	266130-9	TAPPING SCREW BIND PT 3X16		4			
040	413G67-5	MOTOR HOUSING COVER		1			

041	210040-2	BALL BEARING 698LLU		1		
042	519639-3	ROTOR ASS'Y		1	*	
D10		INC. 41,43				
042-1	519639-3	ROTOR ASS'Y	O	1		
D10		INC. 41,43				
043	210022-4	BALL BEARING 626DDW		1		
044	629B90-2	STATOR COMPLETE		1		
045	266130-9	TAPPING SCREW BIND PT 3X16		3		
046	413G60-9	MOTOR HOUSING		1		
047	422877-7	RUBBER CUSHION		2		
048	424721-4	RUBBER RING 115		1		
049	422879-3	GROMMET		1		
050	266130-9	TAPPING SCREW BIND PT 3X16		3		
051	413G64-1	CAP		1		
052	141J76-9	HOUSING COMPLETE		1		
053	266326-2	TAPPING SCREW 4X18		10		
054	422878-5	RUBBER CUSHION		2		
055	161509-8	BAND L		1	*	
055-1	162D39-6	BAND L	<	1		
056	161510-3	BAND R		1	*	
056-1	162D38-8	BAND R	<	1		
057	256A28-4	ROD 5		4		
058	162B59-8	BAND A COMPLETE		1		
059	961011-9	STOP RING E-4		4		
060	252274-1	TAPPING SCREW 4X18 WITH W		1		
061	162B58-0	CUSHION COMPLETE		1	*	
061-1	162D10-0	CUSHION COMPLETE	O	1		
062	252274-1	TAPPING SCREW 4X18 WITH W		6		
063	413G76-4	PIPE FRAME COVER		4		
064	266326-2	TAPPING SCREW 4X18		8		
065	413K11-6	RUBBER CLAMP		4		
066	422917-1	FOOT HOUSING RUBBER		2		
067	266326-2	TAPPING SCREW 4X18		4		
068	162B57-2	PIPE FRAME COMPLETE		1		
069	183W34-7	FOOT HOUSING SET		2		
070	266326-2	TAPPING SCREW 4X18		4		
071	162B60-3	BAND B COMPLETE		1		
072	122C31-8	HOSE CLAMP 110 ASSEMBLY		2		
C10	252103-8	HEX. LOCK NUT M5-8		1		
C20	911243-8	PAN HEAD SCREW M5X25		1	*	
C21	911253-5	PAN HEAD SCREW M5X30	O	1		
073	413G69-1	FLEXIBLE PIPE 100		1		
074	413G71-4	ELBOW		1		
075	413G70-6	END NOZZLE 82		1		
076	162B56-4	SWIVEL PIPE COMPLETE		1		
077	266326-2	TAPPING SCREW 4X18		5		
078	801277-8	SOUND 103DB LABEL		1		
079	858T78-5	UB002C NAME PLATE		1		
A01	1910M7-9	ADAPTER PIPE 104-72 SET		1		
A02	197889-6	FLAT NOZZLE SET		1		
F01	1910M7-9	ADAPTER PIPE 104-72 SET		1		
F02	196733-4	BAND 25 SET		1		

F03	197888-8	EXTENSION NOZZLE SET		1			
F04	197889-6	FLAT NOZZLE SET		1			

Please state Parts No. when your order.

Print Date 02/16/2024